

SIZE	d	L1	L2	g	H	H1	H2	H3	A	B	W	GEAR SIZE	MASS (About)
40A	43	33	35.3	69	225	66	132	27	132	35	100	4K	4.0Kg
50A	55	43	46	81	236	69	140	27	132	35	100	4K	4.5Kg
65A	66	46	49	104	257	80	150	27	132	35	100	4K	5.4Kg
80A	84	46	49	115	271	89	155	27	132	35	100	4K	5.5Kg
100A	100	52	55	136	300	106	167	27	132	35	100	4K	6.4Kg

SIZE	JIS5K			JIS10K			ASME125Lb/150Lb		
	C	N	M	C	N	M	C	N	M
40A	95	4	M12	105	4	M16	98.4	4	1/2 13UNC
50A	105	4	M12	120	4	M16	120.7	4	5/8 11UNC
65A	130	4	M12	140	4	M16	139.7	4	5/8 11UNC
80A	145	4	M16	150	8	M16	152.4	4	5/8 11UNC
100A	165	8	M16	175	8	M16	190.5	8	5/8 11UNC

Table 1	Table 2
SCS14	NBR #1
CAC701*3	EPDM*2

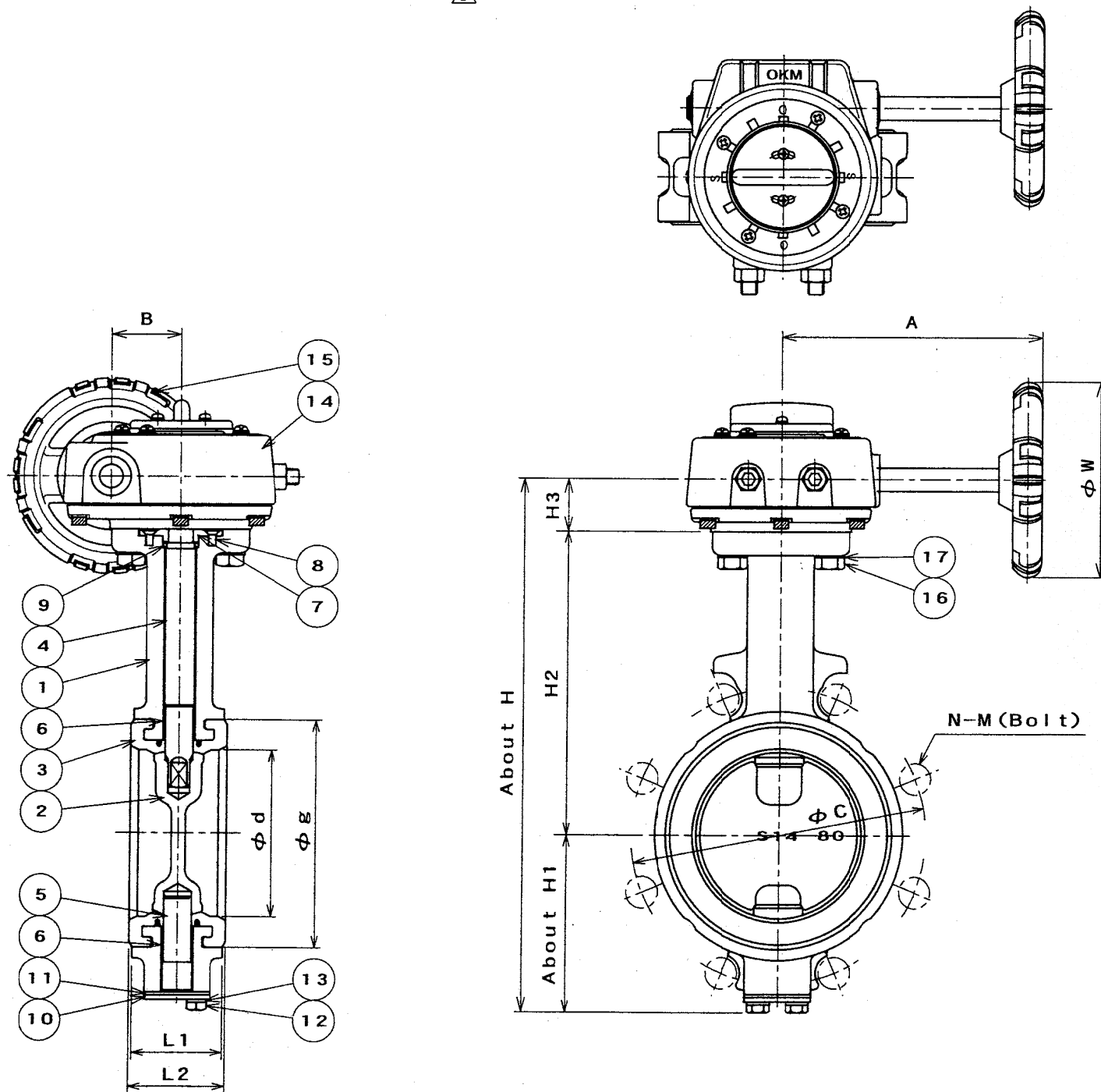
\*3 50A~

製番 MFG. NO. \_\_\_\_\_

名称及形式 MODEL 612X (40A~100A)  
NAME AND TYPE BUTTERFLY VALVES WITH WORM GEAR OPERATOR

Type C

番号 NO.	部品名称 PARTS NAME	材質 MATERIAL	数量 Q. ty	備考 REMARKS
1	BODY	FCD450	1	
2	DISC	See Table 1	1	
3	SEAT RING	See Table 2	1	
4	UPPER STEM	SUS420J2	1	
5	LOWER STEM	SUS420J2	1	
6	BUSH	PLASTIC	1set	
7	NECK BUSH	PLASTIC	1	
8	SCREW	SUS304	4	
9	O-RING	NBR	1	
10	COVER	SPCC	1	PLATED
11	GASKET	NBR	1	
12	COVER BOLT	SUS304	2	
13	SPRING WASHER	SUS304	2	
14	GEAR BOX	FC250	1	
15	HAND WHEEL	ADC12	1	
16	BOLT	SWRCH	4	PLATED
17	SPRING WASHER	SWRH	4	PLATED
18				
19				
20				
21				
22				
23				
24				
25				



SEP. 30, 2009  
JUL. 06, 2009

日付 DATE	Sep. 16. 2003	尺度 SCALE	FREE
使用压力 WORKING PRESSURE	Max 0.5/1.0 MPa Pe	使用温度 WORKING TEMP. *1: -10~70℃ *2: -20~120	
耐压試験 SHELL TEST	1.5 MPa Pe	試験流体 TEST FLUID	WATER
弁座試験 SEAT TEST	0.55/1.1 MPa Pe	許容漏れ LEAKAGE	0 %
作成 DRAWN	検討 CHECKED	承認 APPROVED	
株式会社オーケーエム OKUMURA ENGINEERING corp.			
図面番号 DRAWING NO.	612X GB 0484 EB	FLOP. No.	Hd-lan975

SIZE	d	L1	L2	g	H	H1	H2	H3	A	B	W	GEAR SIZE	MASS (About)
125A	130	56	59	167	338	123	187	28	170	41	125	8K	10.2Kg
150A	154	56	59	196	368	138	202	28	170	41	125	8K	12.0Kg
200A	200	60	63	242	427	168	230	29	197	51	160	16K	17.8Kg

SIZE	JIS5K			JIS10K			ASME125Lb/150Lb		
	C	N	M	C	N	M	C	N	M
125A	200	8	M16	210	8	M20	215.9	8	3/4 10UNC
150A	230	8	M16	240	8	M20	241.3	8	3/4 10UNC
200A	280	8	M20	290	12	M20	298.5	8	3/4 10UNC

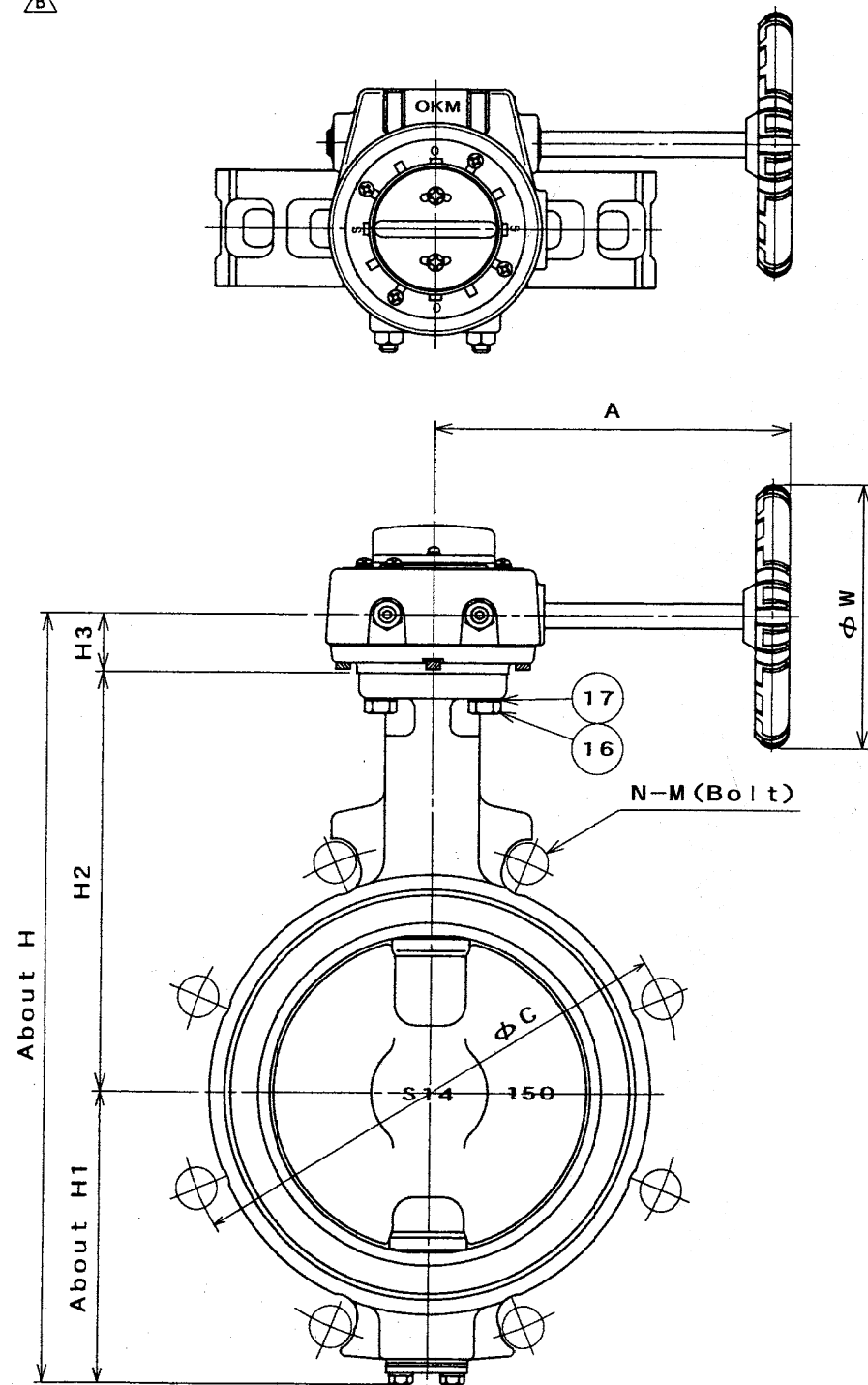
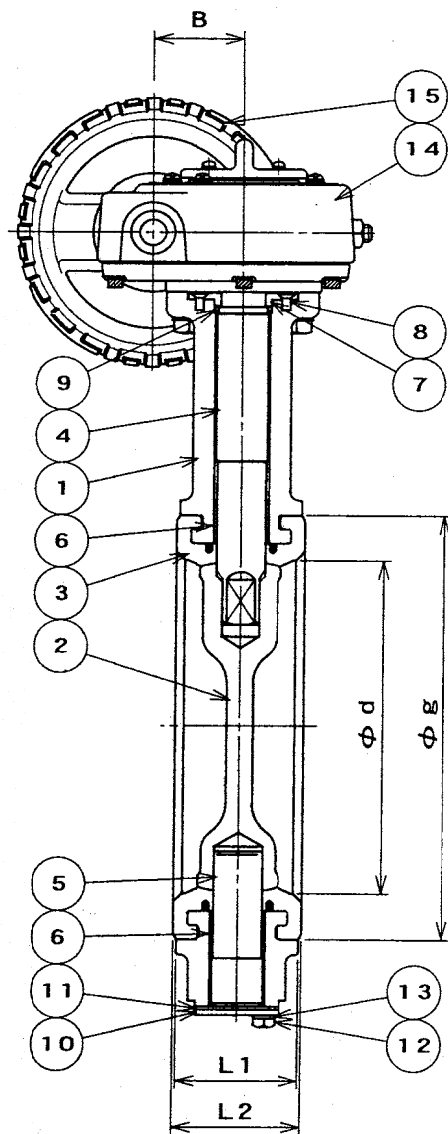
Table 1	Table 2
SCS14	NBR #1
CAC701	EPDM#2

製 番  
MFG. NO.

名称及形式  
NAME AND TYPE MODEL 612X (125A~200A)

Type C BUTTERFLY VALVES WITH WORM GEAR OPERATOR

番号 NO.	部品名称 PARTS NAME	材質 MATERIAL	数量 Q. ty	備考 REMARKS
1	BODY	FCD450	1	
2	DISC	See Table 1	1	
3	SEAT RING	See Table 2	1	
4	UPPER STEM	SUS420J2	1	
5	LOWER STEM	SUS420J2	1	
6	BUSH	PLASTIC	1set	
7	NECK BUSH	PLASTIC	1	
8	SCREW	SUS304	4	
9	O-RING	NBR	1	
10	COVER	SPCC	1	PLATED
11	GASKET	NBR	1	
12	COVER BOLT	SUS304	2	
13	SPRING WASHER	SUS304	2	
14	GEAR BOX	FC250	1	
15	HAND WHEEL	ADC12	1	
16	BOLT	SWRCH	4	PLATED
17	SPRING WASHER	SWRH	4	PLATED
18				
19				
20				
21				
22				
23				
24				
25				



日付 DATE	Sep. 16. 2003	尺度 SCALE	FREE
使用压力 WORKING PRESSURE	Max 0.5/1.0 MPa Pe	使用温度*1 WORKING TEMP. *1	-10~70℃
耐压試験 SHELL TEST	1.5 MPa Pe	試験流体 TEST FLUID	WATER
弁座試験 SEAT TEST	0.55/1.1 MPa Pe	許容漏れ LEAKAGE	0 %

作成 DRAWN	検討 CHECKED	承認 APPROVED
S.Y	Z.M	[Signature]

**OKM** 株式会社オーケーエム  
OKUMURA ENGINEERING corp.

SEP. 30, 2009  
JUL. 06, 2009

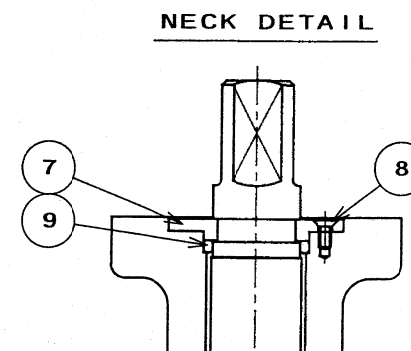
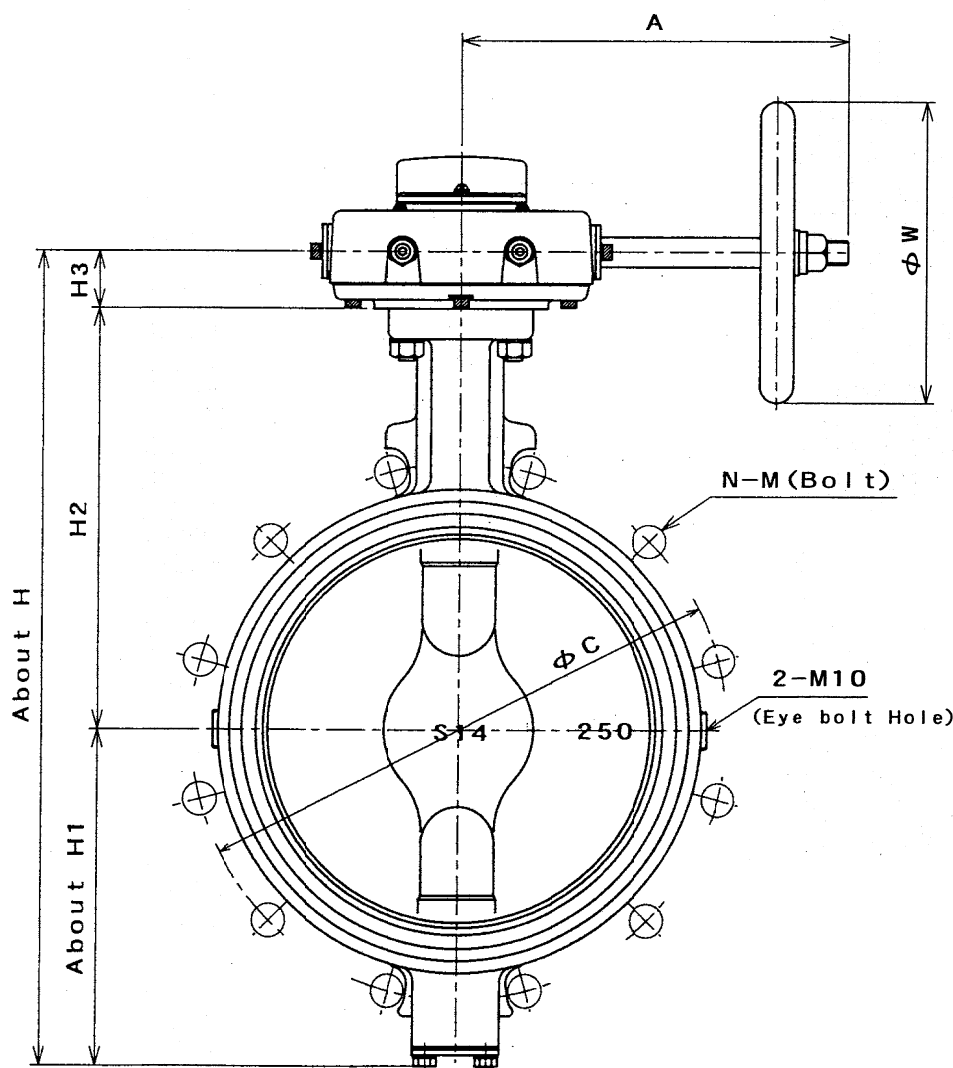
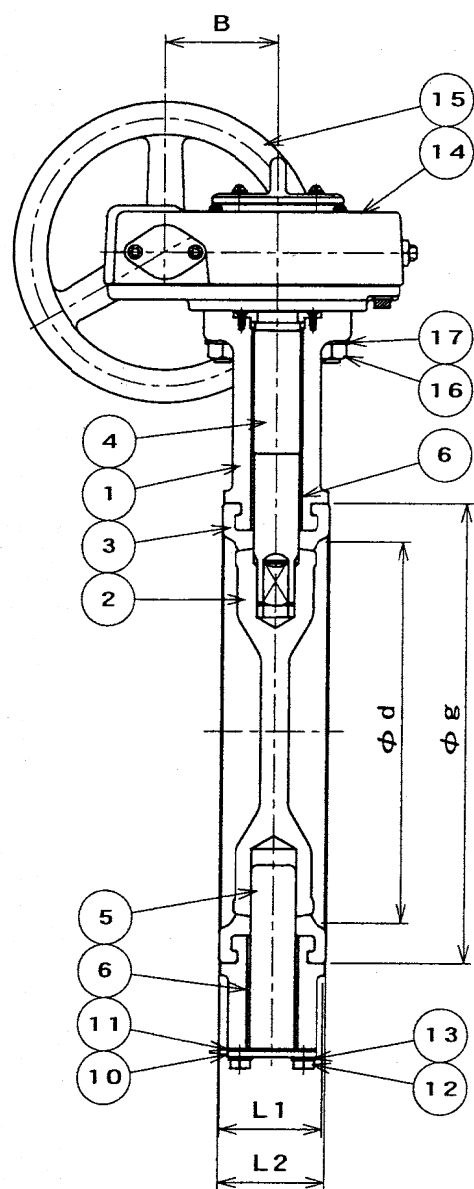
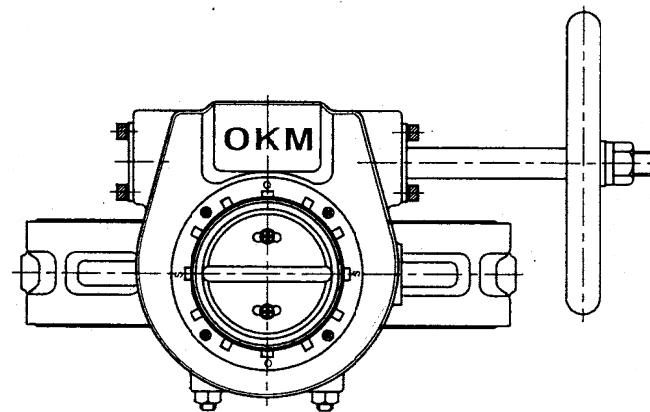
図面番号 DRAWING NO.	612X GB 0485 EB	FLOP. No. Hd-Ian975
---------------------	-----------------	------------------------

SIZE	d	L1	L2	g	H	H1	H2	H3	A	B	W	GEAR SIZE	MASS (About)
250A	246	68	71	300	541.5	223	280	38.5	255	73.9	200	63K	32Kg
300A	295	78	81	346	608.5	260	310	38.5	255	73.9	200	63K	46Kg

Table 1	Table 2
SCS14	NBR *1
CAC701	EPDM*2

SIZE	JIS5K			JIS10K			ASME125Lb/150Lb		
	C	N	M	C	N	M	C	N	M
250A	345	12	M20	355	12	M22	362.0	12	7/8 9UNC
300A	390	12	M20	400	16	M22	431.8	12	7/8 9UNC

製番 MFG. NO.		名称及形式 NAME AND TYPE		
		MODEL 612X (250A, 300A) BUTTERFLY VALVES WITH WORM GEAR OPERATOR		
		Type C		
番号 NO.	部品名称 PARTS NAME	材質 MATERIAL	数量 Q. ty	備考 REMARKS
1	BODY	FCD450	1	
2	DISC	See Table 1	1	
3	SEAT RING	See Table 2	1	
4	UPPER STEM	SUS420J2	1	
5	LOWER STEM	SUS420J2	1	
6	BUSH	PLASTIC	1set	
7	NECK BUSH	PLASTIC	1	
8	SCREW	SUS304	4	
9	O-RING	NBR	1	
10	COVER	SS400	1	PLATED
11	GASKET	NBR	1	
12	COVER BOLT	SUS304	4	
13	SPRING WASHER	SUS304	4	
14	GEAR BOX	FC250	1	
15	HAND WHEEL	FC250	1	
16	STUD BOLT, NUT	SGD SWRCH	4	PLATED
17	SPRING WASHER	SWRH	4	PLATED
18				
19				
20				
21				
22				
23				
24				
25				
日付 DATE	Sep. 16. 2003	尺度 SCALE	FREE	
使用压力 WORKING PRESSURE	Max 0.5/1.0 MPa Pe	使用温度*1 WORKING TEMP. *1	-10~70℃	
耐压試験 SHELL TEST	1.5 MPa Pe	使用温度*2 WORKING TEMP. *2	-20~120℃	
井座試験 SEAT TEST	0.55/1.1 MPa Pe	試験流体 TEST FLUID	WATER	
		許容漏れ LEAKAGE	0%	
作成 DRAWN	検討 CHECKED	承認 APPROVED		
<b>OKM</b> 株式会社オーケーエム OKUMURA ENGINEERING corp.				
図面番号 DRAWING NO.	612X GB 0486 EB			FLOP. No. Hd-1an975



SEP. 30, 2009  
JUL. 06, 2009