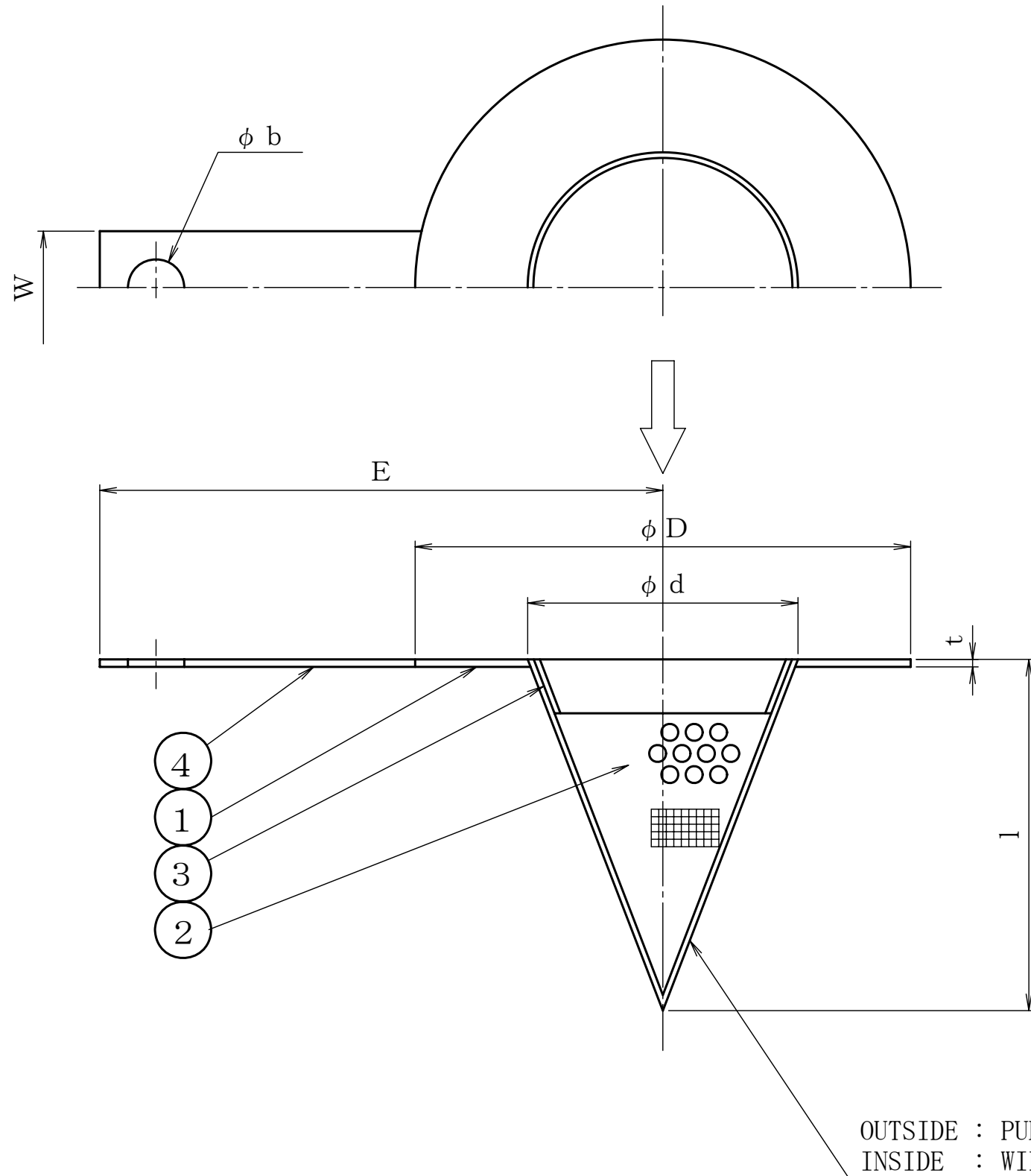


10T-2-04



| SIZE | d | t | D | l | E | W | b | WEIGHT Kg | |
|------|-------|-----|---|-----|-----|-----|----|--------------|-------|
| 15 | 1/2 | 13 | 2 | 55 | 22 | 85 | 20 | 6 | 0.06 |
| 20 | 3/4 | 18 | 2 | 60 | 26 | 85 | 20 | 6 | 0.07 |
| 25 | 1 | 24 | 2 | 72 | 30 | 90 | 20 | 6 | 0.09 |
| 32 | 1 1/4 | 30 | 2 | 82 | 35 | 95 | 20 | 6 | 0.11 |
| 40 | 1 1/2 | 36 | 2 | 87 | 42 | 100 | 20 | 6 | 0.12 |
| 50 | 2 | 48 | 2 | 102 | 52 | 120 | 20 | 6 | 0.15 |
| 65 | 2 1/2 | 60 | 2 | 122 | 62 | 140 | 20 | 6 | 0.21 |
| 80 | 3 | 72 | 2 | 132 | 74 | 150 | 20 | 6 | 0.23 |
| 100 | 4 | 95 | 2 | 157 | 95 | 160 | 20 | 6 | 0.30 |
| 125 | 5 | 118 | 3 | 188 | 115 | 180 | 25 | 6 | 0.59 |
| 150 | 6 | 142 | 3 | 218 | 140 | 200 | 25 | 6 | 0.75 |
| 200 | 8 | 188 | 3 | 268 | 175 | 230 | 25 | 6 | 1.10 |
| 250 | 10 | 235 | 3 | 330 | 220 | 260 | 25 | 6 | 1.62 |
| 300 | 12 | 280 | 3 | 375 | 260 | 300 | 25 | 6 | 1.98 |
| 350 | 14 | 325 | 6 | 420 | 300 | 330 | 35 | 10 | 4.04 |
| 400 | 16 | 375 | 6 | 483 | 340 | 360 | 35 | 10 | 5.22 |
| 450 | 18 | 425 | 6 | 538 | 385 | 390 | 40 | 10 | 6.65 |
| 500 | 20 | 470 | 6 | 593 | 425 | 420 | 40 | 10 | 7.97 |
| 600 | 24 | 570 | 6 | 697 | 510 | 480 | 40 | 10 | 11.71 |

SCREEN

| | MESH |
|--|----------|
| | 20 MESH |
| | 40 MESH |
| | 60 MESH |
| | 80 MESH |
| | 100 MESH |

| No | NAME OF PART | MATERIAL | Q.T.Y | REMARKS |
|----|--------------|----------|-------|---------|
| 4 | HANDLE | SUS304 | 1 | |
| 3 | LINER | SUS304 | 1 | |
| 2 | SCREEN | SUS304 | 1 | |
| 1 | BODY | SUS304 | 1 | |

NAME
10K CONE TYPE
TEMPORARY STRAINER

| FLUID | TEST PRESSURE | TEST PRESSURE | BODY | (HYD) MPaG |
|--------------------|---------------|---------------|------|------------|
| | | | | (AIR) MPaG |
| DESIGN PRESSURE | MPaG | | SEAT | (HYD) MPaG |
| | | | | (AIR) MPaG |
| DESIGN TEMPERATURE | °C | | | (HYD) MPaG |
| | | | | (AIR) MPaG |

DRAWING No _____ MODEL No 10T-2-04

| DATE | A.P | C.K | D.S | D.W |
|---------------|--------|--------|--------|--------|
| SEP. 13, 2006 | MORITA | MORITA | MORITA | HISAKA |

MM THREE-M INDUSTRY CO.,LTD.

| No | DESCRIPTION | DATE | A.P | C.K | D.W |
|-----------|------------------|--------------|--------|--------|--------|
| 1 | Deleted size 10A | NOV. 16, '06 | MORITA | MORITA | HISAKA |
| REVISIONS | | | | | |