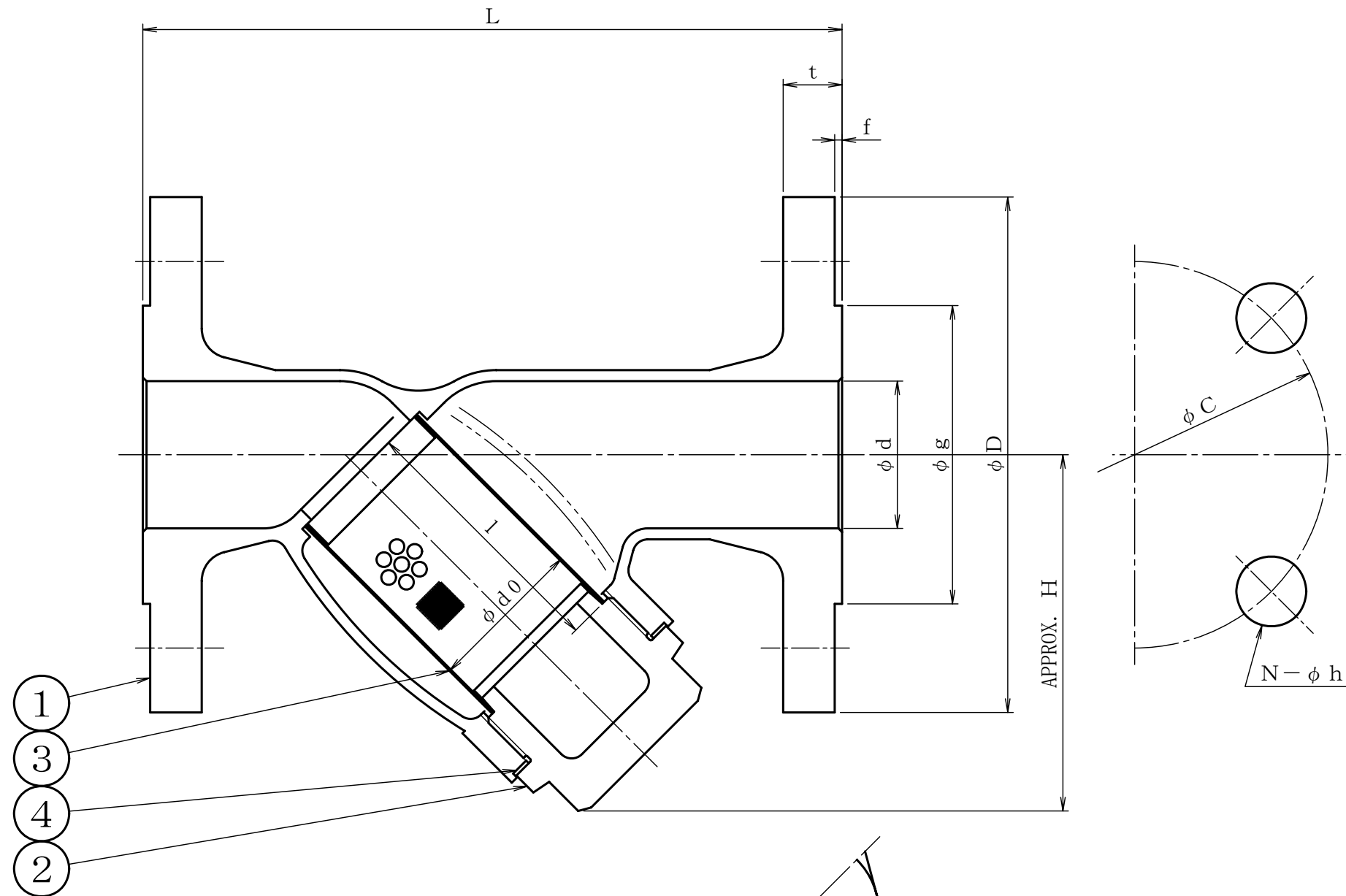


10FYL-13A

SIZE	d	L	FLANGED								H	d0	l
			D	C	g	f	t	N	h				
15	1/2	15	125	95	70	51	1	12	4	15	55	18	40
20	3/4	20	140	100	75	56	1	14	4	15	70	23	52
25	1	25	160	125	90	67	1	14	4	19	80	30	56
40	1 1/2	40	190	140	105	81	2	16	4	19	100	43	71
50	2	50	220	155	120	96	2	16	4	19	115	53	82



SCREEN

	MESH
	20 MESH
	40 MESH
	60 MESH
	80 MESH
	100 MESH

No	NAME OF PART	MATERIAL	Q.T.Y	REMARKS
4	GASKET	T#9007-G20	1	
3	SCREEN	SUS304	1	
2	CAP	SCS13A	1	
1	BODY	SCS13A	1	

NAME 10K
FLANGED Y TYPE STRAINER

FLUID	TEST PRESSURE	TEST PRESSURE	BODY	SEAT
(HYD) 1.5 MPaG	1.0 MPaG	150 °C	(HYD) MPaG	(HYD) MPaG
(AIR) MPaG			(AIR) MPaG	(AIR) MPaG

DRAWING No _____ MODEL No 10FYL-13A

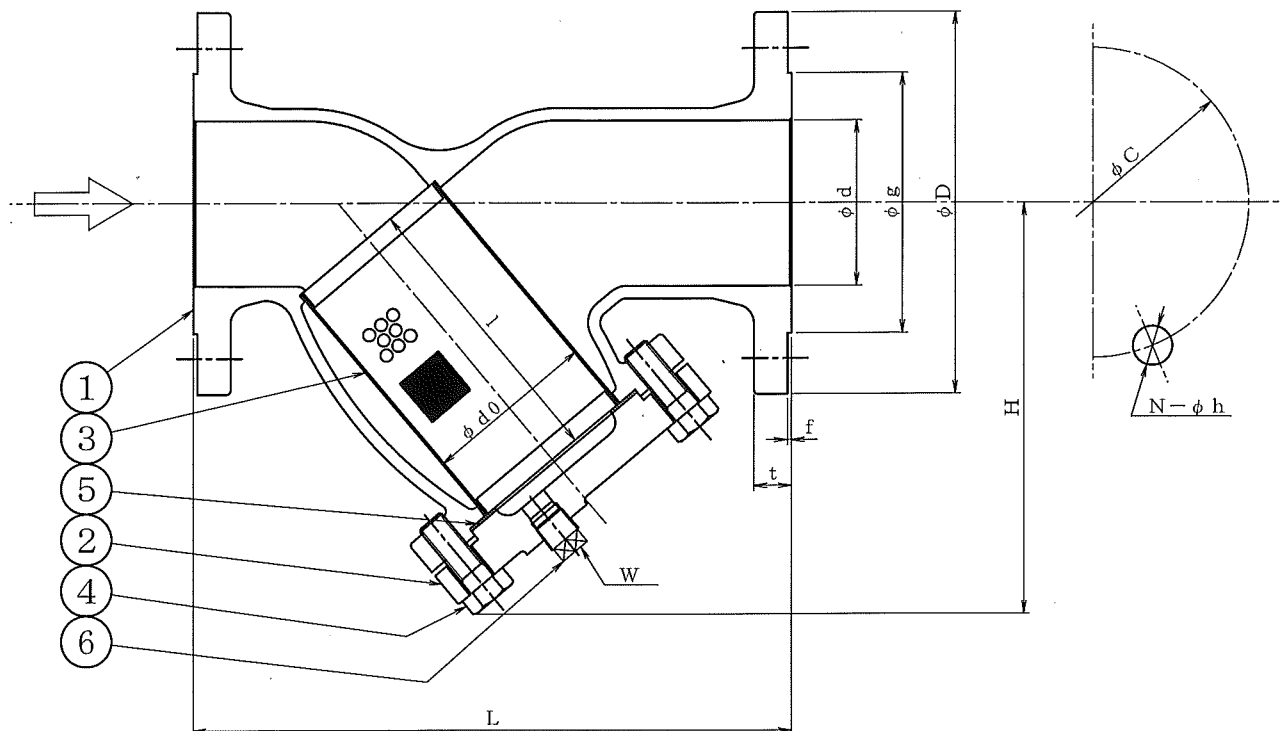
DATE	A.P	C.K	D.S	D.W
MAR. 23, 2012	KAIMOTO	KAIMOTO	KAIMOTO	HORIE

MM THREE-M INDUSTRY CO.,LTD.

No	DESCRIPTION	DATE	A.P	C.K	D.W
REVISIONS					

10FYL-13A

SIZE	d	L	FLANGED								H	d _o	l	W
			D	C	g	f	t	N	h					
65	2 1/2	65	270	175	140	116	2	18	4	19	160	68	108	R 3/8
80	3	80	290	185	150	126	2	18	8	19	200	85	140	R 3/8



SCREEN

MESH
20 MESH
40 MESH
60 MESH
80 MESH
100 MESH

No	NAME OF PART	MATERIAL	Q.T.Y	REMARKS
6	DRAIN PLUG	SUS 304	1	
5	GASKET	T#9007-G20	1	
4	BOLT	SUS 304	SET	
3	SCREEN	SUS 304	1	
2	COVER	SCS 13A	1	
1	BODY	SCS 13A	1	

NAME 10K
FLANGED Y TYPE STRAINER

FLUID	DESIGN PRESSURE	DESIGN TEMPERATURE	TEST PRESSURE	BODY	SEAT
(HYD)	1.0 MPaG	150 °C		(HYD)	(HYD)
(AIR)				(AIR)	(AIR)
				(HYD)	(HYD)
				(AIR)	(AIR)

DRAWING No _____ MODEL No 10FYL-13A

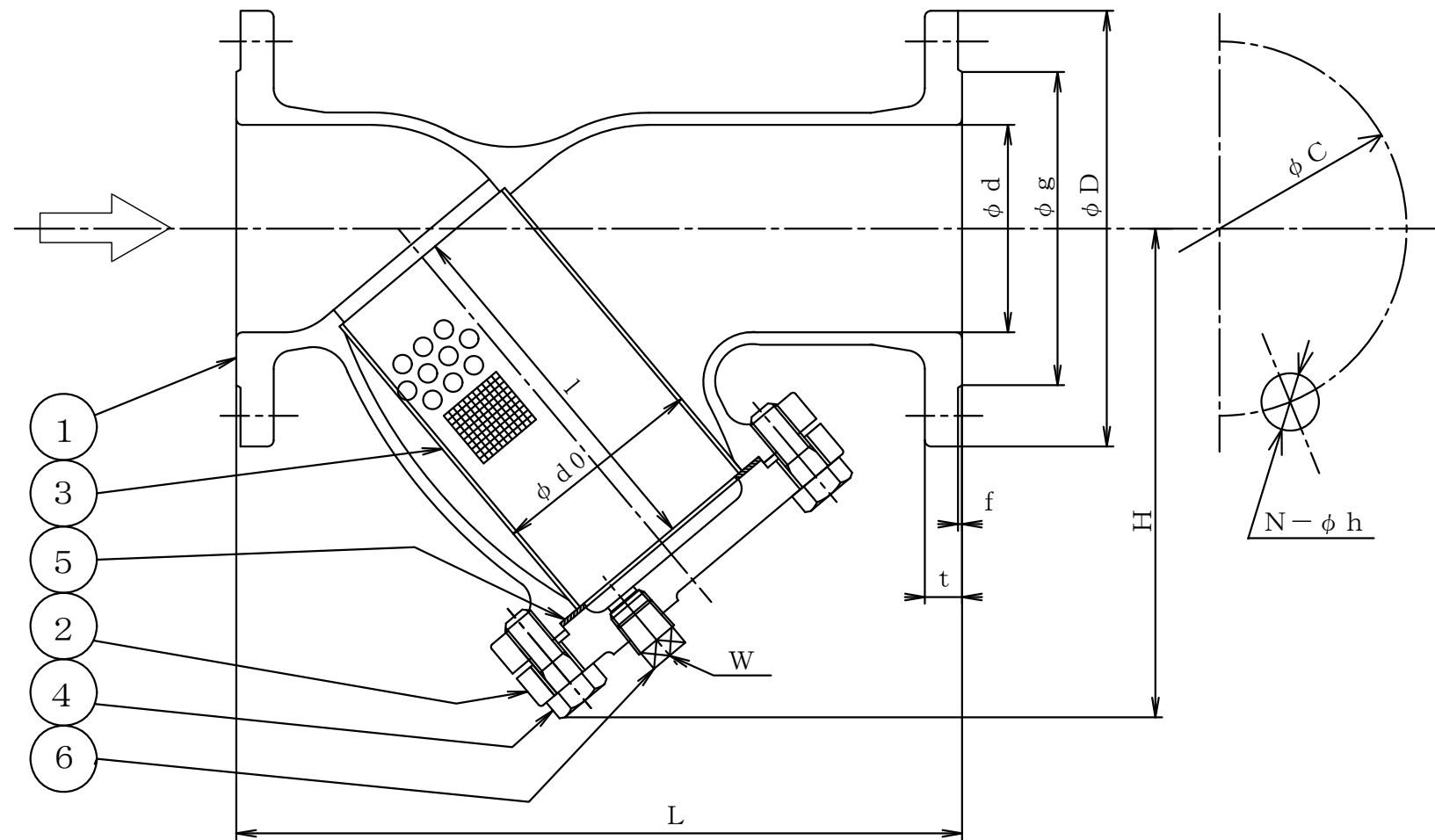
DATE	A. P	C. K	D. S	D. W
JUN. 5, 2012	MORITA	MORITA	MORITA	HISAKA

MMM THREE-M INDUSTRY CO.,LTD.

No	DESCRIPTION	DATE	A. P	C. K	D. W
REVISIONS					

10FYL-13A

SIZE	d	L	FLANGED								H	d _o	l	W
			D	C	g	f	t	N	h					
100	4	350	210	175	151	2	18	8	19	235	104	178	R ^{1/2}	
125	5	390	250	210	182	2	20	8	23	290	130	200	R ^{1/2}	
150	6	440	280	240	212	2	22	8	23	340	155	230	R ^{3/4}	
200	8	540	330	290	262	2	22	12	23	410	205	295	R ^{3/4}	



SCREEN

	MESH
	20 MESH
	40 MESH
	60 MESH
	80 MESH
	100 MESH

No	NAME OF PART	MATERIAL	Q.T.Y	REMARKS
6	DRAIN PLUG	SUS304	1	
5	GASKET	T#9007-G20	1	
4	BOLT	SUS304	SET	
3	SCREEN	SUS304	1	
2	COVER	SCS13A	1	
1	BODY	SCS13A	1	

NAME 10K
FLANGED Y TYPE STRAINER

FLUID	TEST PRESSURE	TEST PRESSURE	BODY	(HYD) 1.5 MPaG	(AIR) MPaG
	1.0 MPaG		SEAT	(HYD) MPaG	(AIR) MPaG
DESIGN TEMPERATURE	150 °C			(HYD) MPaG	(AIR) MPaG

DRAWING No _____ MODEL No 10FYL-13A

DATE	A.P	C.K	D.S	D.W
JUN. 5, 2012	MORITA	MORITA	MORITA	HISAKA

MM THREE-M INDUSTRY CO.,LTD.

No	DESCRIPTION	DATE	A.P	C.K	D.W
REVISIONS					