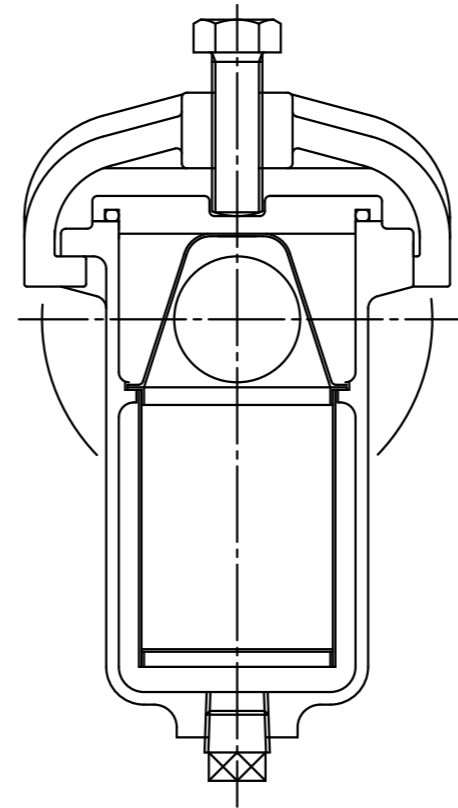
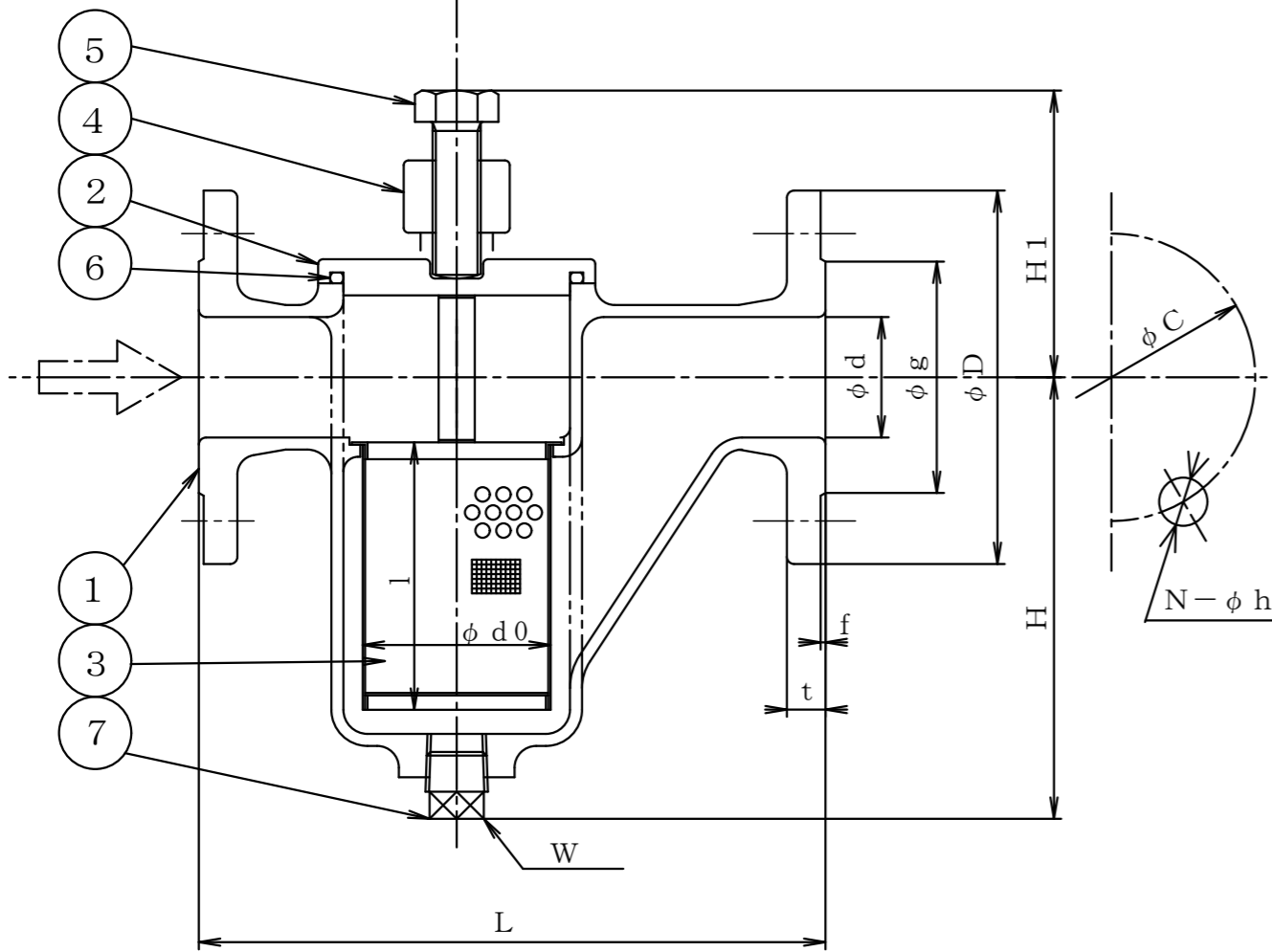
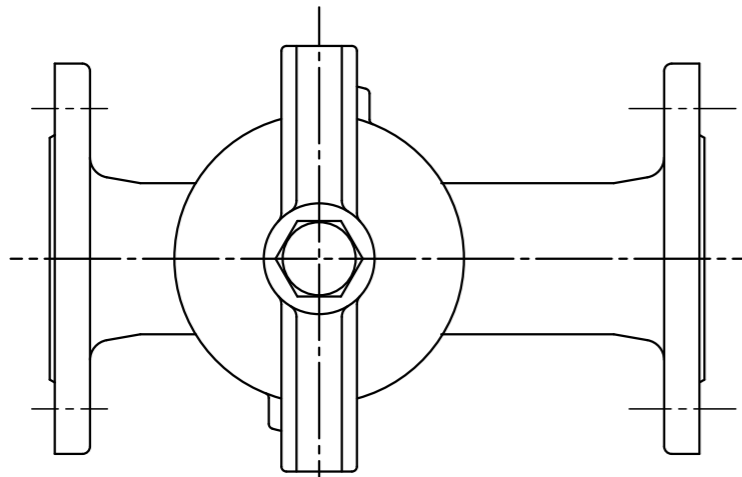


SIZE	d	L	FLANGED								d0	l	H	H1	W	WEIGHT Kg
			D	C	g	f	t	N	h							
15	1/2	20	156	95	70	51	1	12	4	15	33	70	112	85	R3/8	3.5
20	3/4	20	160	100	75	56	1	14	4	15	33	70	112	85	R3/8	3.5
25	1	25	180	125	90	67	1	14	4	19	43	80	130	95	R1/2	5.5
32	1 1/4	40	230	135	100	76	2	16	4	19	63	90	158	110	R3/4	8.5
65	2 1/2	65	280	175	140	116	2	18	4	19	90	130	216	145	R1	16.0
80	3	80	300	185	150	126	2	18	8	19	104	150	243	180	R1	21.0
100	4	100	360	210	175	151	2	18	8	19	132	190	298	230	R1	34.0



SCREEN

MESH
20 MESH
40 MESH
60 MESH
80 MESH
100 MESH

No	NAME OF PART	MATERIAL	Q.T.Y	REMARKS
7	DRAIN PLUG	SUS304	1	
6	O-RING	FPM	1	
5	BOLT	SUS304	1	
4	SET YOKE	SCS13A	1	
3	SCREEN	SUS304	1	
2	COVER	SCS13A	1	
1	BODY	SCS13A	1	

NAME 10K
FLANGED U TYPE STRAINER

FLUID	DESIGN PRESSURE	DESIGN TEMPERATURE	TEST PRESSURE	BODY	SEAT
(HYD)	1.0 MPaG	130 °C	(HYD)	1.5 MPaG	(HYD)
(AIR)			(AIR)		(AIR)
					(AIR)
					(AIR)

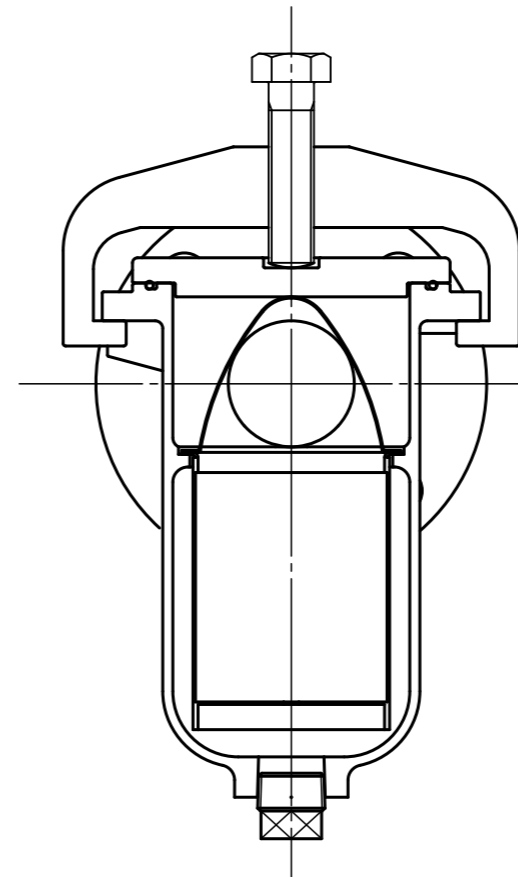
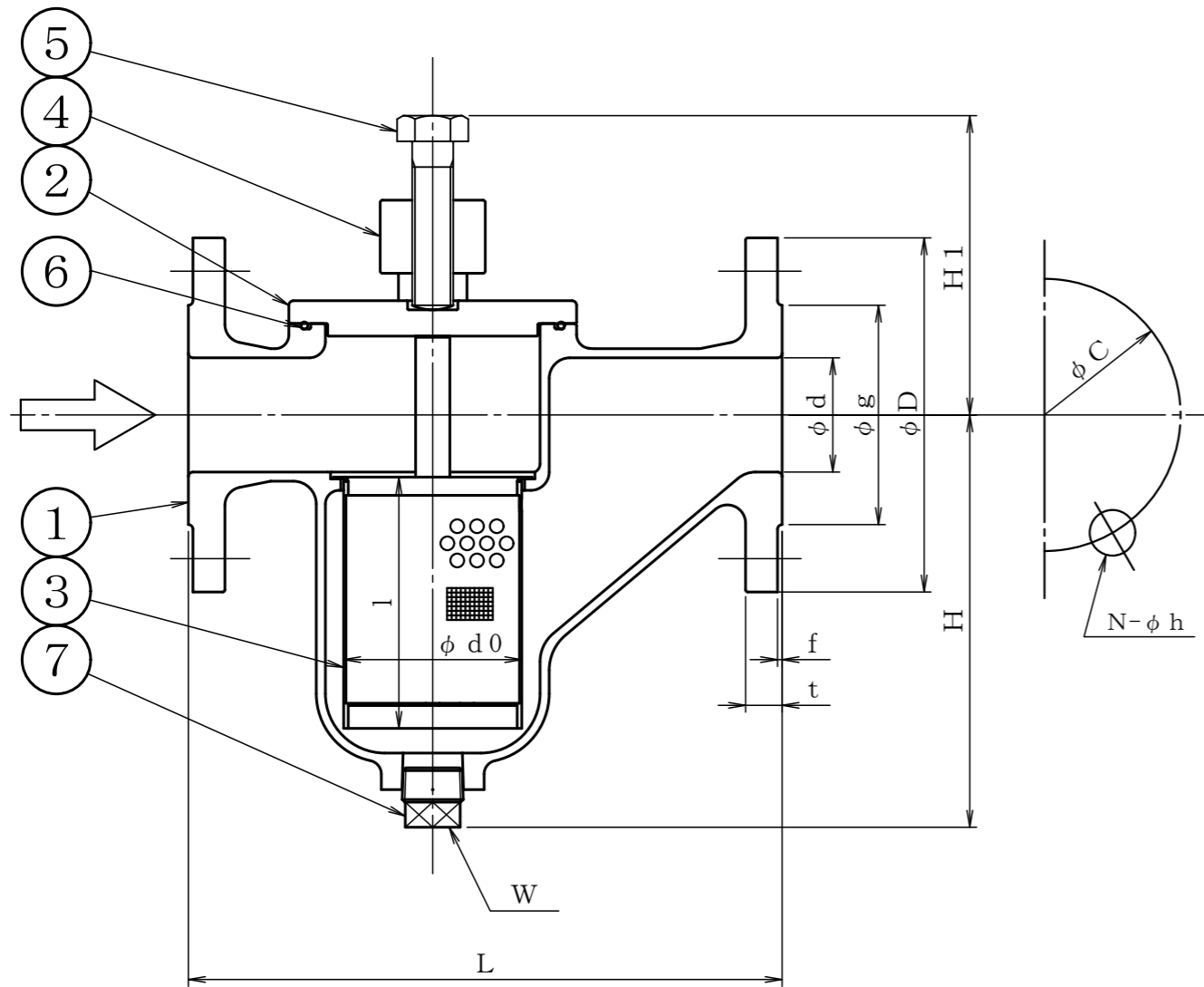
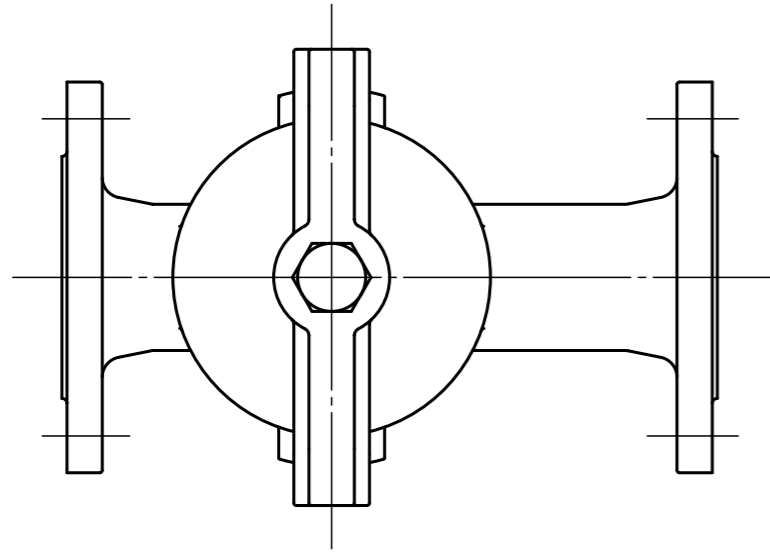
DRAWING No MODEL No 10FUL-1-13A

DATE	A.P	C.K	D.S	D.W
OCT. 02, 2018	MORITA	MORITA	MORITA	HORIE

No	DESCRIPTION	DATE	A.P	C.K	D.W
REVISIONS					

10FUL-1-13A

SIZE	d	L	FLANGED								d0	l	H	H1	W	WEIGHT Kg	Q' TY
			D	C	g	f	t	N	h								
40	1 1/2	40	230	140	105	81	2	16	4	19	63	90	158	110	R3/4	7.1	
50	2	50	260	155	120	96	2	16	4	19	78	110	181	131	R3/4	10.2	



SCREEN

	MESH
	20 MESH
	40 MESH
	60 MESH
	80 MESH
	100 MESH

No	NAME OF PART	MATERIAL	Q.T.Y	REMARKS
7	DRAIN PLUG	SUS304	1	
6	O-RING	FPM	1	
5	BOLT	SUS304	1	
4	SET YOKE	SCS13A	1	
3	SCREEN	SUS304	1	
2	COVER	SUS304	1	
1	BODY	SCS13A	1	

NAME 10K
FLANGED U TYPE STRAINER

FLUID	DESIGN PRESSURE	DESIGN TEMPERATURE	TEST PRESSURE	BODY	SEAT
(HYD)	1.5 MPaG	130 °C	(HYD)	(HYD)	(HYD)
(AIR)	MPaG		(AIR)	(AIR)	(AIR)
(HYD)	MPaG		(HYD)	(HYD)	(HYD)
(AIR)	MPaG		(AIR)	(AIR)	(AIR)

DRAWING No _____ MODEL No 10FUL-1-13A

DATE	A. P	C. K	D. S	D. W
JUL. 21, 2017	MORITA	MORITA	HORIE	HORIE

No	DESCRIPTION	DATE	A. P	C. K	D. W
REVISIONS					