

1	Body	Bronze	本体	CAC406	1
No.	Name of Parts	Material	部品名	材質	Q.TY

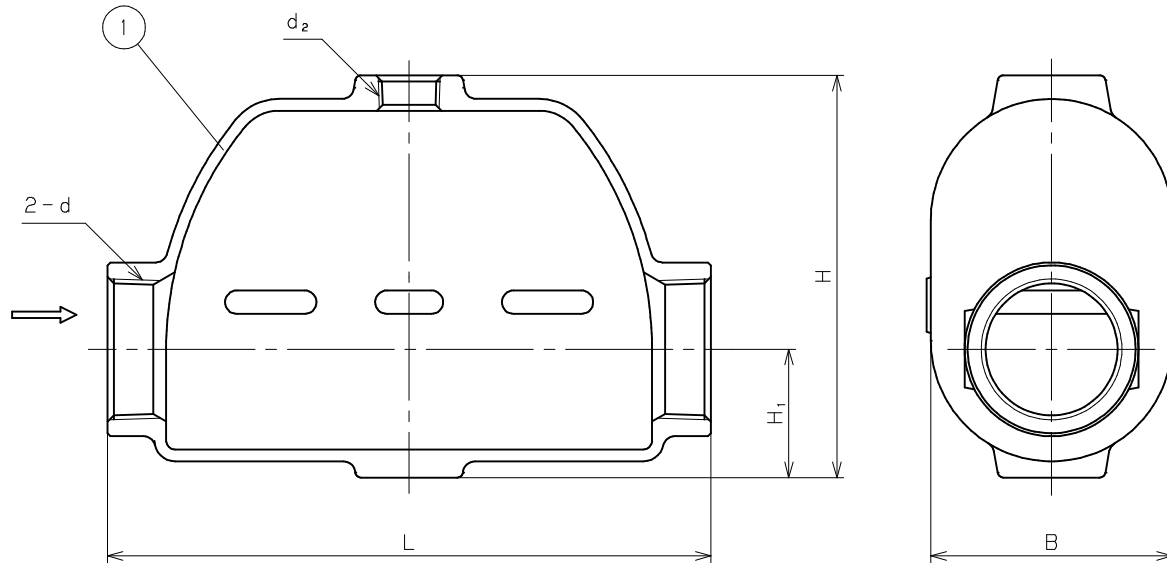
(mm)							
Size	d	L	H	H ₁	B	d ₂	Weight (Kg)
20A	Rc 3/4	120	84	27.5	55	Rc 1/2	1.1
25A	Rc 1	140	84	27.5	55	Rc 1/2	1.2

Specification	
Fluid	
Press.	MPa
Temp.	

TYPE A0-2 AIR OUT
エアアウト

Approval	M. Kume
Check	H. Tange
Drawing	H. Iwamoto
Drawing No.	Y-255-1201
Date	21 DEC. 1999





(mm)							
Size	d	L	H	H ₁	B	d ₂	Weight(kg)
32A	Rc 1 1/4	155	113.5	33.5	61	Rc 1/2	2.0
40A	Rc 1 1/2	205	136.5	43.5	82	Rc 1/2	3.6
50A	Rc 2	205	136.5	43.5	82	Rc 1/2	3.8

Specification	
Fluid	
Press.	MPa
Temp.	

1	Body	Bronze	本体	CAC406	1
No.	Name of Parts	Material	部品名	材質	Q.TY

TYPE A0-2 AIR OUT
エアーアウト

Approval	M. Kume
Check	H. Tange
Drawing	T. Tsubuku
Drawing No.	Y-255-1201
Date	22 SEP.2000

