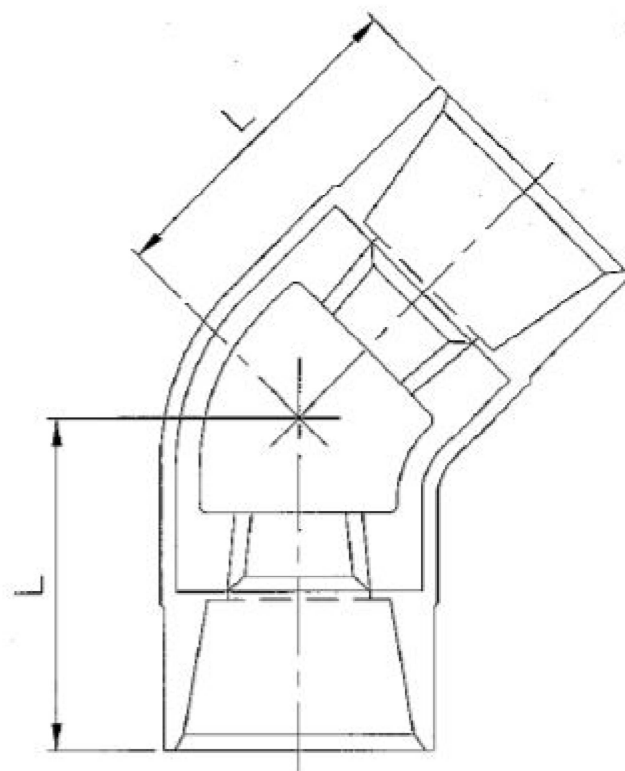


45° エルボ (45L)

(硬質塩化ビニル樹脂品)



単位 : mm

| 呼び径 (A) | L (±10) |
|------------|------------|
| 20 | 46.5 |
| 25 | 55.5 |
| 32 | 61.0 |
| 40 | 64.0 |
| 50 | 69.0 |
| 65 | 76.0 |
| 80 | 86.5 |
| 100 | 102.5 |